



Our *passion* is enclosures.

Ergonomical, elegant and economical.

ROLEC commandCASE
Perfectly shaped.



ROLEC milestones in enclosure development.



Basic ROLEC's great idea: Special resets for lid and fastening holes allows enclosure mounting with closed lids.



aluCASE concept for electronic enclosures: Design covers for a perfect appearance.



The new commandCASE principle: Compact Control Enclosures

Beautiful design grips mounted like „wings“ to the fastening level let aluCASE enclosures become well proportioned command enclosures for ergonomical handling.



ROLEC innovation for Design Control Enclosures

When ROLEC invented the aluCASE system, a new standard for industrial electronic enclosures was defined. This very successful system without visible screw heads is the basis for the new compact **commandCASE** control enclosure. The entire frontside is ready for our customers' own design on key membranes, displays or control components.

ROLEC commandCASE

Uncompromising flexibility.
Handling within perfection.

Overview of details



Design grip „wings“

A newly developed anodised aluminium design profile with plastic corners, screwed from behind to the fastening plane, so the screws will remain invisible. This profile ensures the new ergonomic handling required from a control enclosure.



Elegantly designed hinges

commandCASE enclosures are designed with hinges which are screwed on from the inside as standard.



Closures for enclosures

ROLEC developed an intelligent idea: elegantly designed snap closures, optional with locks, to make sure the snap closure will not be opened unauthorized.

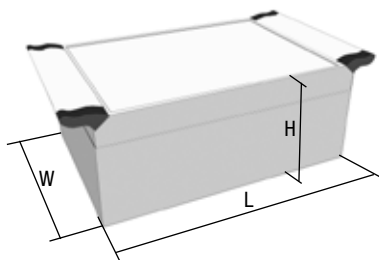


Delivery overview commandCASE*

Type	Mat.-No	L	W	H	D	E	g	ID	DG	SV	S	L	D	EMV
CC 200	193.200.000	230	200	120	212	144	2.005	☐	☐	☐	☐	●	●	●
CC 202	193.202.000	330	200	120	312	144	2.328	☐	☐	☐	☐	●	●	●
CC 250	193.250.000	280	250	120	262	194	2.643	☐	☐	☐	☐	●	●	●
CC 252	193.252.000	380	250	120	362	194	3.295	☐	☐	☐	☐	●	●	●
CC 300	193.300.000	330	300	120	312	244	3.353	☐	☐	☐	☐	●	●	●
CC 302	193.302.000	430	300	120	412	244	4.092	☐	☐	☐	☐	●	●	●

☐ Standard ● Available ○ Not available

*available from middle of 2013



Mounting dimensions

Technical data

Enclosure

Die-cast aluminium
EN AN-44300 DIN EN 1706
(GD AL SI 12 / DIN 1725)
1° mould slope for casting
ejection, internal measures
diminishing circulatory towards
enclosure bottom by 1°.

Integrated recess

1.7 mm recess in the lid for
membrane keypad or front
plates, membrane dimensional
data for standard powder coating.

Internal mounting

Attachment webs in the bottom
section and attachment domes

in the top section ensure
secure fastening of installed
components.

Ingress protection

IP 66 / EN 60529

Gasket

Chloroprene gasket
(-30°C bis +90°C)
Optional: Silicone gasket
(-50°C bis +140°C)

Closure

Snap closures with (optional)lock
and hinges at small sides (W)

Design grip „wings“

Aluminium profile, anodised
silver, polyoxymethylene (POM),
RAL 7016, anthrazite grey

Fastening

Suspension system taraPLUS
(optional)

Integrated lid supports

Polypropylene (PP), RAL 7040,
window grey

Surface

Powder coating in RAL 7035,
light grey
Special colours (optional)



ID

Integrated lid supports



DG

Design grip „wings“



SV

Snap closure



S

Hinges



L

Corrosion proof coating



D

Silicone enclosure gasket



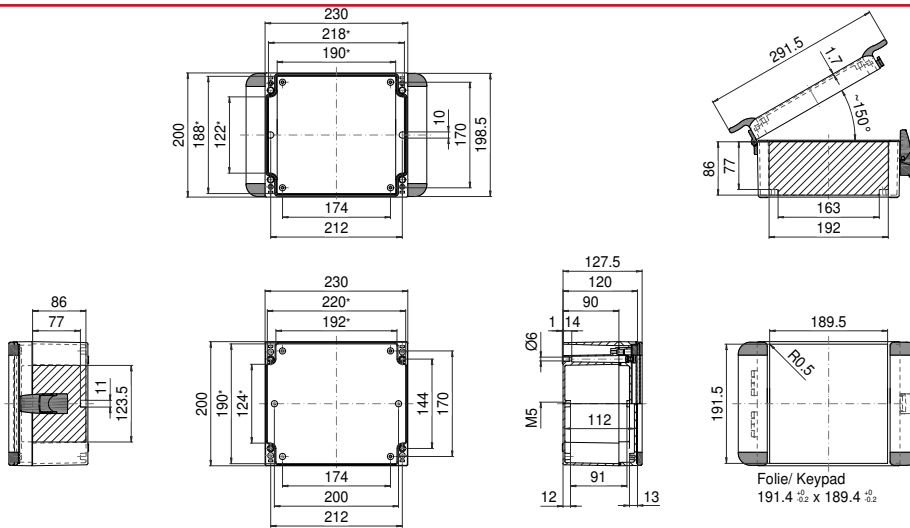
EMV

Shielding

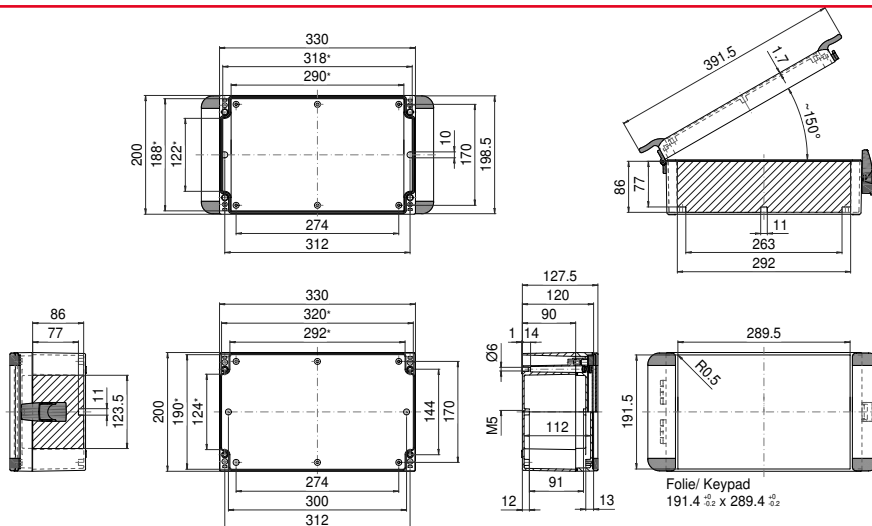
ROLEC Attachment and mounting dimensions

commandCASE

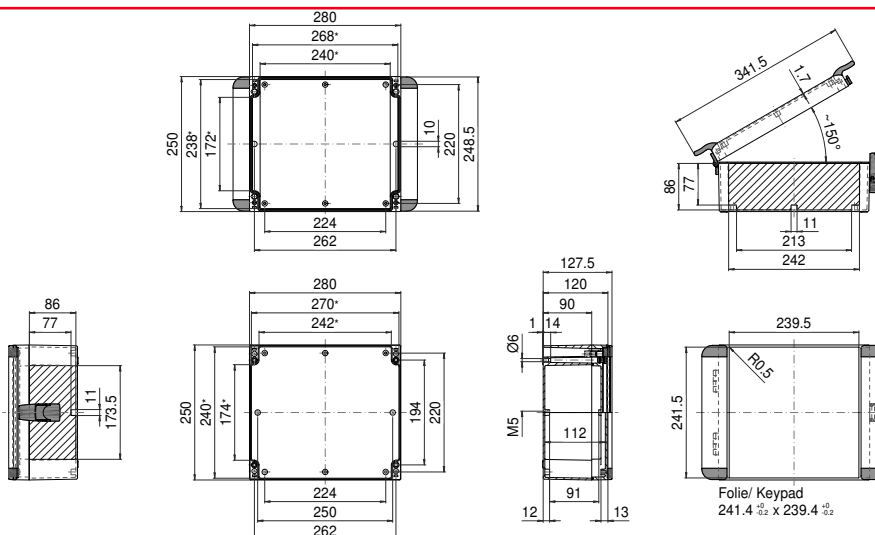
CC 200



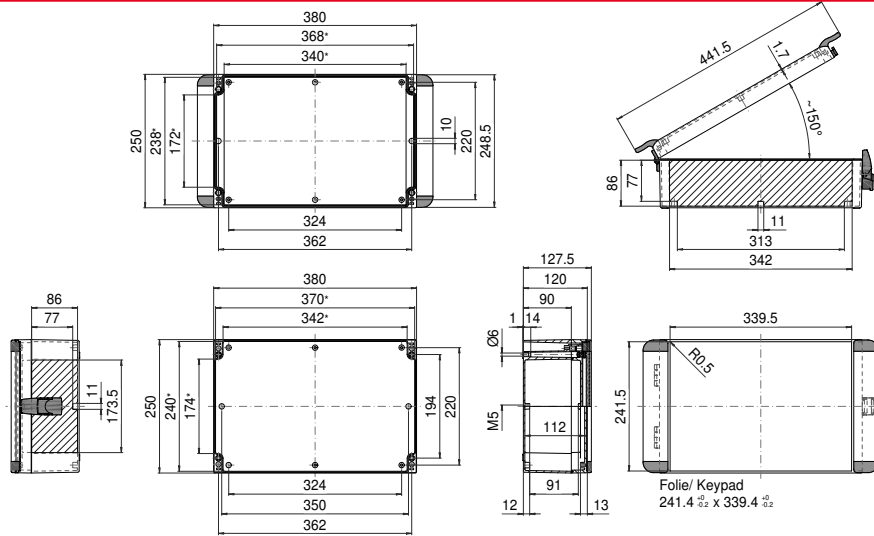
CC 202



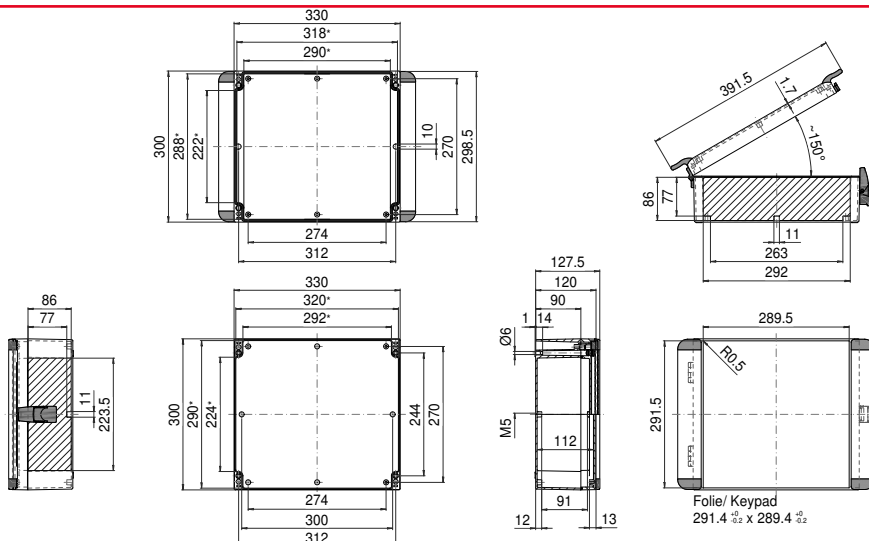
CC 250



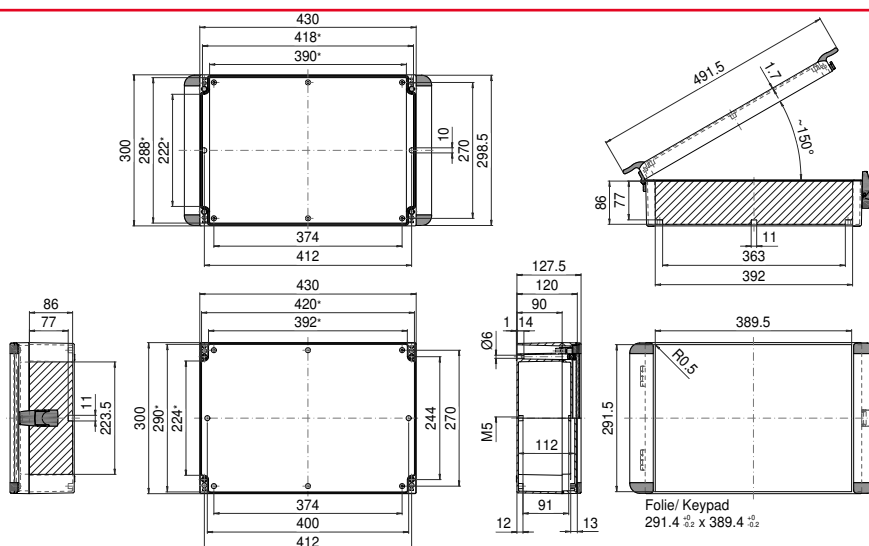
CC 252



CC 300



CC 302





Our *passion* is enclosures.

Just-in-time. Ready for installation.

- Drilled.
- Milled.
- Engraved.
- Printed.
- Powder coated.
- Wet painted.
- Equipped.
- Assembled.
- Delivered.

ROLEC
Gehäuse-Systeme GmbH
Kreuzbreite 2
31737 Rinteln/Germany
Fon +49 (0) 57 51/ 40 03-0
Fax +49 (0) 57 51/ 40 03-50
rolec@rolec.de
www.rolec.de

